

The TESI Electric Convector Panel Radiators Installation and Users Instructions

Thank you for purchasing this Tesy heating appliance. These instructions provide you with the correct information for the safe and efficient operation of this appliance. Please read these instructions carefully before using and keep them for future reference.

Failure to adhere to these instructions may cause damage to the appliance, property or persons.

Tesy Radiators are suitable and ideal for use in:

- Residential houses/apartments
- Offices
- Hotels
- Shops
- Restaurants
- Student rooms

TESY convector radiators provide efficient heating to any room without the need for unsightly pipework. The high-tech construction is the perfect solution for rooms where style, elegance and power-saving control is needed. The stylish construction and neutral color of the appliance is designed to suit any interior décor.

Important: for premises with volume larger than 60m³ it is recommended to use a combination of 2 or more convectors (see the specification chart).

VII. Main parameters

- High efficiency
- Maintenance of maximum temperature of upto 26°C inside premises
- Simplified control
- Compact size
- Economic operation

CONTENTS:-

Main radiator assembly
Wall mounting bracket
Fixing screws and plugs

Electrical Information

Voltage 230-240 Volts AC
Frequency 50 Hz

IMPORTANT

- Before using the appliance, check the voltage of the mains power supply corresponds to the voltage specified on the label of the appliance.
- The appliance is fitted with a 13 amp fused plug, this can be removed and the radiator wired directly to a fused spur outlet which should be fused at 13 amp.
- This product meets the requirements of European directive 89/336 concerning electromagnetic compatibility.

1. General Instructions

Remove the radiator and components from packaging and check to ensure the radiator was not damaged during transportation and that the power cable is not damaged

General specification:

Figure 1

1. Wall Mounting bracket
2. Warm air outlets
control panel
front panel
rear panel
cold air inlets

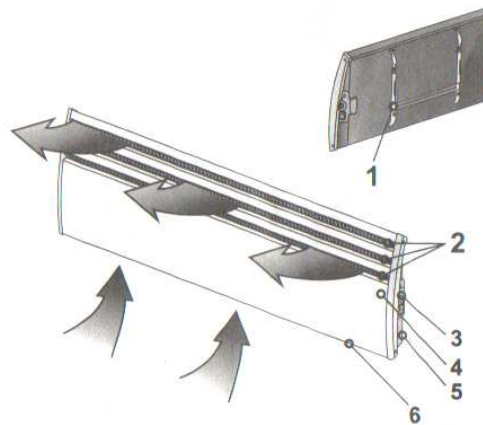


Figure 1

Specifications:

Figure 2:

Control Panel

1. Power ON indicator light
2. Temperature control knob
3. Power switch (on/off)

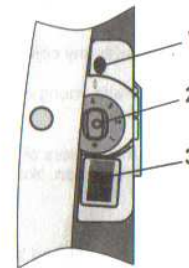


Figure 2

Installation instructions

- Carefully take the convector out of its package and store or recycle the packaging.
- The radiator must be positioned in accordance with the drawing showing clearance distances to other objects.
- The radiator must not be installed in a bathroom or in an area containing baths, showers, washbasins, in swimming pool areas, or close to any other water or wet items
- The radiator must not be installed directly beneath any power sockets or outlets.
- Fix the Wall mounting bracket in the desired position, ensure it is flat and level.

- Refer to Fig 3 for distances from other objects.
- Do NOT connect the radiator to the same power outlet as other electrical appliances with high voltage requirements, otherwise potential overloading of the electrical installation may occur.

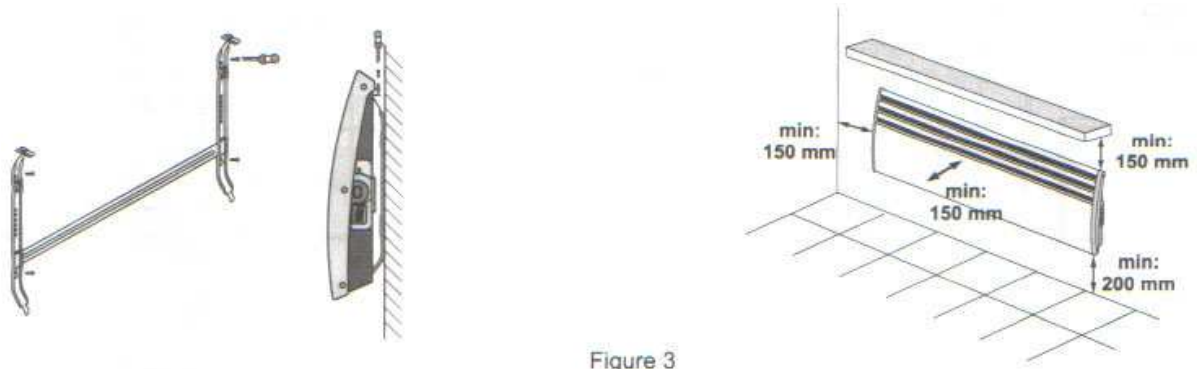


Figure 3

DO NOT COVER THE APPLIANCE WHEN SWITCHED ON OR OFF

Setting the desired room temperature

Your Tesy Radiator is fitted with an electronic thermostat that will help to keep the room/area at an even temperature.

To set the thermostat, turn on the power supply and switch on the radiator at the control panel.

Turn the control knob to the preferred setting (from 1 to 6).

For guidance the settings relate to the following:

* - **anti-freeze** mode (activated when the temperature in the room falls below 5°C)

1/2 - ECONOMY mode (maintains LOW temperature in the room)

This mode is recommended for use during night or when there are no people in the room. It maintains a low background temperature while saving energy.

3/4/5 – COMFORT mode (maintains MODERATE temperature in the room)

This mode is recommended for normal use when the room is occupied.

6 – MAXIMUM mode (maintains HIGH temperature in the room)

This mode is recommended for use when you need maximum heat in the room or a faster heat up period.

Important: the figures on the temperature control knob do not correspond to a specific room temperature, they allow the user to find the correct setting to suit individual requirements and environments.

The temperature to which the appliance will raise the room will depend on the size and type of room in which it is installed..

Once the control has been set to a specific setting, it will maintain the room temperature at the desired level.

Over Heat Protection

The Tesy radiator has a safety cut off thermostat that automatically turns the heater off in the cases when the temperature of the convector exceeds the admissible values (i.e. the appliance is overheating due to air blockage or being covered).

The safety thermostat automatically restarts the convector only after the temperature falls below the admissible values.

Cleaning (rear panel)

It is possible to clean behind and the rear of the convector with minimum effort – press the P-shaped straps (figure 3) on the back of the appliance to release them and lower the radiator. Use dry cloths to clean the appliance.

Important: When you finish the cleaning, ensure the radiator is returned to its correct position.

Attention

1. Do not use the radiator as a clothes drier or cover the radiator with any objects. This will restrict the flow of air through the radiator and will cause overheating.
2. Special care must be taken when the radiator is used in rooms with young children, the elderly or the infirm.

Service maintenance of the appliance

With regular cleaning and good care your Tesy radiator will give many years of warmth. Should any faults occur, the radiator must be inspected and repaired by a qualified service engineer or electrician. Your supplier should be able to provide assistance in this matter.

Replacement of power supply cable

In cases of defects or failure of the power supply cable, this must be replaced by qualified and electricians. Alterations by any authorised persons will invalidate your guarantee and could be dangerous.

IMPORTANT: Do not cover the radiator especially when in operation. This may cause a dangerous increase of the radiator's internal temperature

Do not attempt to modify the performance of your appliance in any way, as this may result in danger to yourself or property. It will also invalidate any guarantee.

GUARANTEE

This appliance is guaranteed for one year from the date of purchase. If any defects arise due to faulty materials or workmanship, the unit will either be replaced or repaired free of charge. The appliance should be returned to the dealer or outlet where it was purchased with the original invoice or receipt as proof of purchase.

The guarantee is subject to the following provisions:

- The guarantee is only valid in the country of purchase
- The product must be correctly used and operated in accordance with these instructions.
- The guarantee will be rendered invalid if the product is resold or has been damaged or modified by unauthorised persons.
- The manufacturer/distributor disclaims any liability for incidental or consequential damages
- This guarantee is in addition to, and does not diminish your statutory or legal rights